



Instruction Manual - Supplement C €





CONTENT

CONTENT.....	1
About instruction manual	2
Symbols used in manual	2
IMPORTANT.....	2
pRODUCER CONTACT DETAILS.....	2
DELIVERY AND UNPACKING	2
pACKAGING AND DELIVERY CONTENT	2
Optional accessories.....	2
Delivery handling.....	2
FAMILIARIZATION.....	3
introduction	3
DESCRIPTION	3
Installation AND PUTTING INTO OPERATION.....	4
LOCATION SELECTION FOR OPERATION	4
UNPACKING AT INSTALLATION PLACE.....	4
ASSEMBLY OF PLATFORM AND ANTI-SLIP MATS	5
PUTTING INTO OPERATION	6
change of dispensed disinfectant lidquid amount.....	9
MAINTENANCE AND OPERATION.....	10
REGULAR MAINTENANCE	10
BATTERY REPLACEMENT.....	11
SAFETY INFORMATION.....	11
GENERAL INFORMATION	12
REQUIREMENTS FOR OPERATOR AND PERSONNEL OF STATION.....	12
RESIDUAL RISKS	12
Improper Use and Prohibited Activities	1
Technical Specification	1
H-CHECK DISINFECTION STATION MAIN DIMENSIONS.....	2
spare parts and possible defects.....	2
spare parts.....	2
POSSIBLE DEFECTS AND THEIR ELIMINATION.....	2
Disassembly, Storage and Disposal	4
Disassembly	4
Storage.....	4
DISPOSAL AND ELIMINATION.....	4

ABOUT INSTRUCTION MANUAL

This manual was prepared with the intention of providing the necessary information about the H-Check disinfection station (hereinafter referred to as the station or disinfection station) to all persons who may come into contact with it during its using, maintenance and repairs. Each of these persons must be acquainted with its contents before starting any activity with the disinfection station.

SYMBOLS USED IN MANUAL

SYMBOL	MEANING
	These symbols mean " CAUTION " and " WARNING " and warn about facts that can cause serious injuries to the user and/or damage to the device. They also indicate an important instruction, a feature, a procedure or a matter that has to be followed or noted during operation and maintenance of the device.
	The symbol indicates an important activity that has to be followed but it does not endanger health or cause damage to the product.
	The symbol indicates a useful piece of information relating to the device or its accessories.
	The symbol is a reference to another chapter of this manual.

IMPORTANT

- **Read this manual carefully.**
- Follow the instructions exactly in order to ensure optimal use and a long service life.
- Do not switch the station on until you have thoroughly read all the instructions, prohibitions and recommendations included in this manual, especially in the **SAFETY INFORMATION CHAPTER**.
- The illustrations used in this manual may not always be accurate; their purpose is to describe the main principles. However, the texts, drawings, photographs and other elements mentioned here are protected by copyright. Any misuse or unauthorized copying is a criminal offense.
- The instructions must be considered as part of the product and must not be separated from it. Therefore, save it for future use.

PRODUCER CONTACT DETAILS

Sometimes could appear any unpredictable situations that could not be included in this guide and described. Therefore, whenever you are not sure,, contact the manufacturer:

HESTEGO a.s. Na Nouzce 470/7 682 01 Vyškov Czech Republic	+420 517 321 011	
hestego@hestego.cz servis@hestego.cz	www.hestego.cz www.hestego.de www.hestego.com www.hestego.ru	

DELIVERY AND UNPACKING

PACKAGING AND DELIVERY CONTENT

The station is packed in a cardboard box and the delivery includes:

- 1 H-Check disinfection station (Fig. A, Note 3)
- 2 platforms (Fig. A, Note 4)
- 10 screws M4x10 DIN 7991 +Assembly key
- 1 rear door key (Fig. A, Note 7)
- 1 battery holder
- Power adapter 230V / 12V, 2.5 A, terminal 5.5x2.1mm
- 4 self – adhesive neoprene pads (Fig. C)
- 1 Instruction and Maintenance manual

OPTIONAL ACCESSORIES

- Set of 8 AA rechargeable batteries
- AA battery charger



Upon receipt of the delivery, check the packaging for damage and claim any damage to the carrier immediately. In addition, check that the delivery is complete and that it agrees with the order. Report any lack to the supplier immediately.

DELIVERY HANDLING

The packed station can be handled by one person. Store the box in a horizontal position if possible. The weight of the package without disinfection is 34.5 kg.



When storing and transporting the station in a vertical position, there is a risk of the station tipping over or falling and injuring people. Take extra care.

STORAGE BEFORE UNPACKING

If you do not unpack and install the station immediately after delivery, store it under the following conditions:

- Store the station in its original packaging in a dry place, protected from the weather, which could damage the packaging and worsen the condition.
- If you store the station in a vertical position, secure it against falling.
- Do not place any other objects or materials on the packaged station.

Recommended storage location features::

Temperature	Humidity	Air Purity	Others
from -10 °C to +45°C	< 80% by 21 °C	Dust-free environment	Dry storage areas

FAMILIARIZATION

! After getting acquainted with the H-Check disinfection station, carefully read the **SAFETY INFORMATION** chapter. Do not begin with the installation of stations before you read all the instructions.

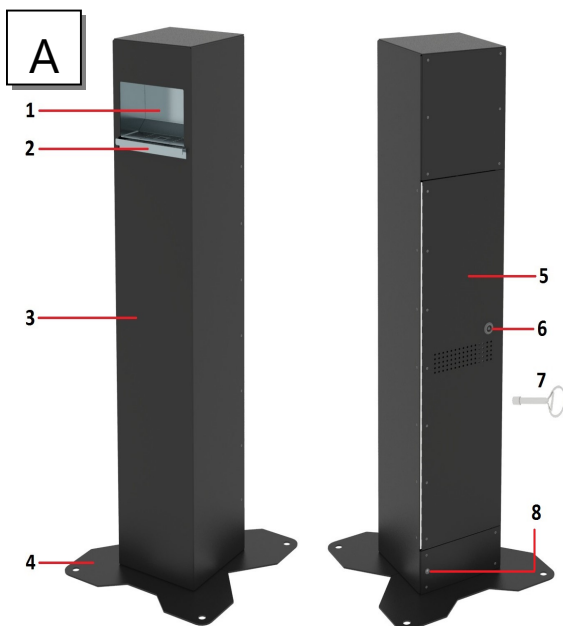
INTRODUCTION

The H-Check disinfection station is designed for non-contact dispensing of disinfectant liquid directly on the hand.

It serves as a protection and prevention against infection not only with the Covid-19 virus, but also with other types of viruses and bacteria. Especially suitable for offices, offices, schools, shops, hotels, surgeries, hospitals, nursing homes, hospitals for the long-term sick, etc.

! Any other use of the disinfection station, including the use of incorrect accessories or spare parts, is considered as improper use. It is therefore forbidden to use the station for purposes other than those defined. The station manufacturer is not liable for damage resulting from improper use. Only its operator bears the risk.

DESCRIPTION



1	Hand disinfection opening (disinfection dispensing)
2	Drip tray (an excess disinfection container)
3	Station body
4	Mounted platform
5	Rear door (an access to the disinfection container and the device control)
6	Rear door lock
7	Rear door key
8	Adapter input

INSTALLATION AND PUTTING INTO OPERATION

LOCATION SELECTION FOR OPERATION

i *We recommend selecting the exact location of the station operation before its installation to save the amount of installation time. Clearly mark the selected location so that the workers performing the installation know exactly where to place the station.*

It is necessary to take into account the following factors when selecting the location for the station operation:

- **Expected movement of persons** – install the station in places where you expect a substantial movement of persons requiring hand disinfection especially at entrances, toilets, corridors, waiting rooms etc. Depending on the number of moving persons ensure that the disinfectant is replenished regularly.
- **Quality and flatness of the base** - for the installation of the station it is suitable to use as flat as possible concrete or paved surfaces with the dimensions of at least 500 x 500 mm. We recommend anchoring the station to the base using 4 openings in the corners of the platform and thus increase its stability or to secure it for example against a theft.
- **Sunlight** – do not expose the disinfection station to direct sunlight; do not place it near light bulbs or other high temperature sources. The disinfection station contains containers with a disinfectant liquid that is flammable. There is a risk of fire.
- **Fire hydrants** – observe the required distance from the fire hydrants that is valid for your region.
- **Passages and ramps for the disabled** – the disinfection station must not block them; ensure a sufficiently wide passage and a manoeuvring space for wheelchair users if they are close to passages or ramps for wheelchair users.
- **Pedestrian movement** – keep in mind the pedestrian movement that should not be restricted especially in corners and emergency exits.
- **Parking meters** – when installing the station near parking meters leave enough space to open the car door. If two parking meters are next to each other, place the station for example between them.

UNPACKING AT INSTALLATION PLACE

! *When transporting the station to the installation place, always pay your attention to the surroundings and take care of your safety and people around you.*

If disinfection is included in the delivery, store it in a safe place until the station is put into operation and follow the safety instructions on the packaging. Disinfection is flammable. Do not use naked flame and do not smoke when handling it! There is a danger of fire!

Follow these steps when unpacking:

- Remove the reinforcing tapes and packaging material.
- Unpack the station and remove from the disinfection opening the key to the rear door.
- Open the rear door with the supplied key and remove all content and unpack it.
- Visually inspect any parts of the station for damage during transportation. Report defects to the supplier or carrier as soon as possible.
- Take extra care during the subsequent handling to avoid damaging the station.

ASSEMBLY OF PLATFORM AND ANTI-SLIP MATS

Prepare the following items from the delivery for the installation of the platform:

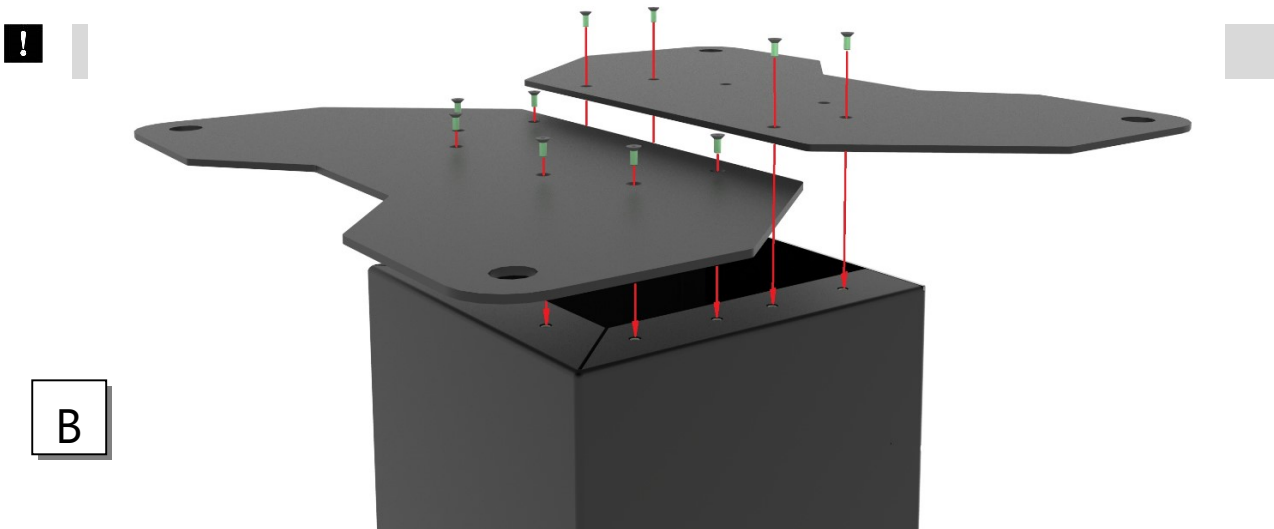


2 platforms

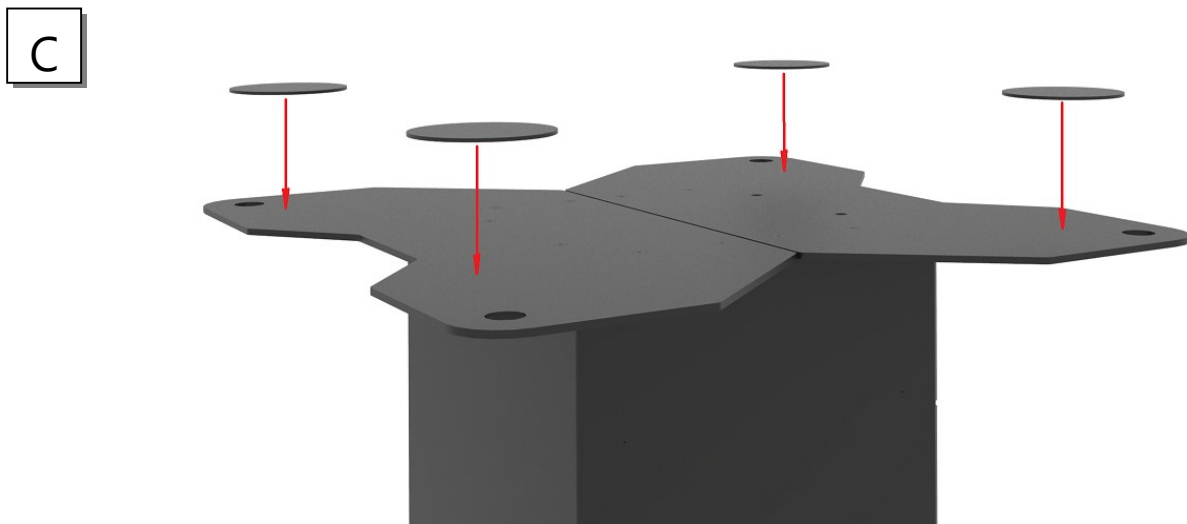
10 screws M4x10 DIN 7991

Assembly key – Allen key H2,5

- Turn the disinfection station upside down and place the first half of the platform from above so that the openings in the platform are towards the front side of the station (Fig. B the platform is on the left). Make sure that the countersink for the screw heads in the platform points upwards. Align the openings in the platform with the openings in the station and tighten 6 screws. Apply the same procedure to mount the other half of the platform while screwing in 2 screws on the left and 2 on the right. The rear openings remain free. Tighten the screws with the assembly key.



If the openings in the platform are not used to attach the base to increase the stability or secure it against theft, it is advisable to glue the anti-slip neoprene pads that are a part of the package on the bottom side of the platform (Fig. C). They serve to protect the bottom sides of the platform and the base (paving) and increase the stability of the station, however, they do not replace the anchorage to the base. Remove the cover foil from the neoprene pad and glue the pad to the bottom side of the platform.



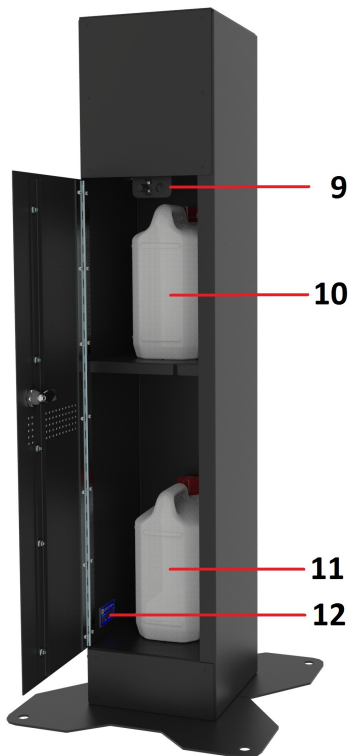
PUTTING INTO OPERATION



*Prior to putting into operation, transport the disinfection station to the installation place and unpack and prepare it according to Chapter **Unpacking at Installation Place and Assembly of Platform and Anti-Slip Mats**.*

- Put the disinfection station into operation at the installation place.
- Unlock and open the rear door and place the disinfection container on the bottom shelf (Fig. D, Note 10).

D



9	Control panel
10	Storage container with disinfection
11	Working container with disinfection
12	Production label

E



- Open the disinfection container and insert the pump hose that is located inside the disinfection station at the right side. Seal the opening in the container around the tubing to prevent disinfectant leakage. Keep the container lid for later use, for example during transport.
- It is possible to place a storage container with disinfection on the upper shelf that is used for a quick replacement when consuming the working container with disinfection (Fig. D, Note 11).
- Insert the drip tray into the opening in the front side under the grating. The drip tray has to reach noticeably the front plate so that these cannot be pulled out in a horizontal motion (Fig. E).



Do not move the disinfection station with a disinfectant liquid inside the station. There is a risk of the container tipping over and spilling the liquid. Disinfection is flammable. Do not use naked flame and do not smoke when handling it! There is a danger of fire! You can always add disinfectant to the container **outside the disinfection stand**.

Wipe up any liquid leaks using inert material, dilute minor leaks with water. In case of a major spill, collect the spilled liquid in a container for disposal in accordance with applicable regulations.

In case of fire use the following extinguishing media: a stream of water, alcohol-resistant foam, powder extinguisher or carbon dioxide.

- Make sure that the main switch is the "0" position (Fig. G, Note 13)

POWER TYPE SELECTION

The disinfection station is primarily intended for power supply using a 230V / 12V power adaptor. Alternative power supply is possible using 8 batteries or rechargeable AA batteries (optional accessory). Changing the power supply type is done by reconnecting the connector (Fig. F) and it is possible repeatedly. Select the type of power supply and proceed according to the relevant section of the manual.

Power Supply via 230V / 12 V Power Adaptor

- Connect the connector at the battery location. (Fig. G, Note 14) with the connector leading from the bottom part of the station from the power adaptor. It is possible to connect the connector only one way. It is not necessary to pay attention to the polarity.
- Connect the 230V/12V power adaptor to the input in the disinfection station (Fig. A, Note 8). Connect the adaptor to the socket of 230V grid.

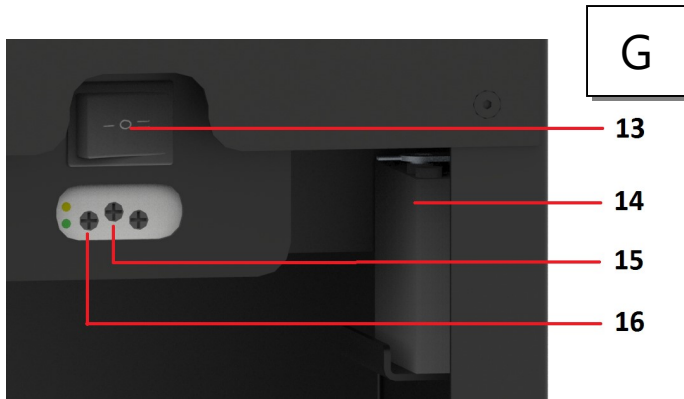
Power Supply by Batteries

- Connect the filled battery holder that was a part of the delivery to the connector (Fig. F) at the right top part of the interior and place it on the shelf (Fig. G, Note 14). If you are using an empty holder, insert 8 AA batteries before connecting it. Make sure the polarity is correct.

DISINFECTATION STATION STARTING

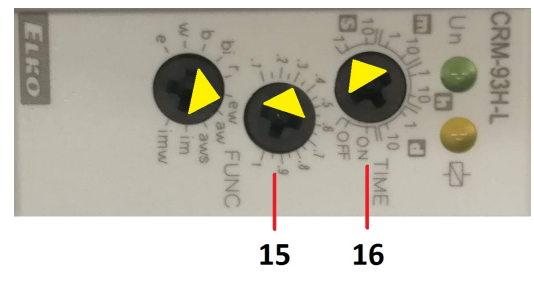
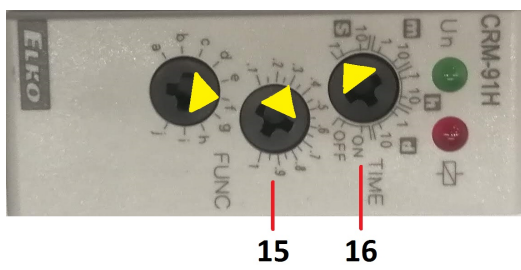
- Turn the batch quantity regulator (Fig. G, Note 13) into the position II. The pump starts and the system starts to fill with disinfectant. Do not leave the disinfection station while filling the system. The system will be filled in a matter of seconds. As soon as the liquid starts to flow out in the disinfection hole, immediately turn the switch to position "I".
- Turn the main switch into "I" position and wait 10 seconds. The sensors are being calibrated. The completion of the calibration is signalled by an audible click.





G

13	Main switch
14	Battery tray
15	Fine time setting
16	Rough time setting



- Check the amount of dispensed liquid by test hand into the disinfection opening. By default, the station dispensed approx. 2.5 ml of liquid. There is a delay of 5 s between individual disinfectant doses. If the amount is insufficient, proceed reading Chapter **INSTALLATION AND PUTTING INTO OPERATION > Change of Dispensed Disinfectant Liquid Amount**.
- Do not handle the "FUNC" knob. The default setting is in position "f" or "ew" depending on switching relay which was used.
- Close and lock the rear door. Keep the key in a safe place.

CHANGE OF DISPENSED DISINFECTANT LIQUID AMOUNT

- The basic time, determining the amount of disinfectant liquid, is set up for 0.2 s. The setting on the device corresponds to this time: Fine time setting (Fig. G, Item 15) - position 2 and Coarse time setting (Fig. G, Item 16) - position S1).
- If the amount dispensed per batch is less than you need, use the key to open the rear door.
- Turn the main switch for 5 seconds into the "0" position.

- Using a crosshead screwdriver, turn the fine time control knob (Fig. G, Item 15) to the right (clockwise). Turn the scale 1-10 to adjust the time in the range 0.1s - 1s (1s = knob turned to max. Right) .
- Turn the main switch back to the "I" position.
- Check the liquid by test insertion into the disinfection hole by hand.
- If the quantity is still insufficient, switch the main switch back to the "0" position.
- Using a crosshead screwdriver, turn the coarse time control knob (Fig. G, Item 16) to the right (clockwise) to position S10. Then turn the fine time adjustment knob (Fig. G, pos. 15) to set the time on the scale 1-10 in the range 1s - 10s (10s = knob turned to max. Right).
- Switch the main switch back to position "I".
- Check the liquid by test insertion into the disinfection hole by hand.
- It is possible to change the amount of liquid dispensed repeatedly.
- Close and lock the rear door. Keep the key in a safe place.

MAINTENANCE AND OPERATION

The disinfection station must be kept clean and serviceable. Regular and correctly performed maintenance of the station and its components is an important prerequisite for a safe and trouble-free operation and a long service life. In addition, regular cleaning ensures a clean appearance of the disinfection station and reduces odours.



*Before the beginning of any maintenance or service work, thoroughly familiarize yourself with all instructions, bans and recommendations that are stated in Chapter **SAFETY INFORMATION**.*

Maintenance and repairs of the mechanical and/or electrical parts of the station can be only performed by a qualified worker who is authorized and trained.

REGULAR MAINTENANCE

Depending on the number of moving persons and the frequency of dispensed disinfection perform regularly the following steps:

- Visually check the condition of the disinfection station.
- Check the cleanliness of the disinfection station. In case of contamination, it is sufficient to clean the outer and inner surfaces of the station with water using a cloth and a commonly available cleaning agent. Avoid entering water or detergent into the station control unit during work. Do not use aggressive cleaning agents or cleaning agents with abrasives.
- Check if the drip tray is full. If it is filled up to 2/3 of the volume, it is necessary to remove and empty it. Carefully lift the drip tray at the front part and slide it towards you. Dispose the content of the drip tray according to the instructions on the packaging of the disinfectant you are using. Return the drip tray to its place after emptying. Do not operate the disinfection station without it.

- Check the functionality of the disinfectant dispenser. If the volume of the dispensed liquid is significantly lower than it was at the beginning of the putting station into operation or of the dispensing of disinfectant liquid is not functional, replace the batteries see Chapter **MAINTENANCE AND OPERATION > Battery Replacement**.
- Unlock and open the rear door and check the amount of the disinfection liquid in the working container.
- Close and lock the rear door. Keep the key in a safe place.

BATTERY REPLACEMENT

If the volume of the dispensed liquid is significantly lower than it was at the beginning of the putting the station into operation, replace the batteries.

- Unlock and open the rear door.
- Turn the main switch into the "0" position (Fig. G, Note 13)
- Remove the holder from the shelf at the top part and disconnect the battery holder using a connector – hold the connector using your thumb and forefinger and pull to separate the parts from each other.
- Remove the discharged batteries from the holder. Depending on the type of the battery which was used, dispose it either in an environmentally friendly manner or return it into a waste collection site. If you use rechargeable batteries, charge them as soon as possible. Storing batteries in an uncharged condition reduces their service life.
- Insert 8 new batteries or AA accumulators into the battery holder. Make sure the polarity is correct.
- Connect the battery holder to the connector at the top right part of the interior and place it on the shelf (Fig. G, Note 14)
- Set the main switch to position "1".
- Perform the inspection of the amount of dispensed liquid by test insertion of hands into the disinfection opening. If the amount is insufficient proceed by Chapter **INSTALATION AND PUTTING INTO OPERATION > Change of Dispensed Disinfectant Liquid Amount**.
- Close and lock the rear door. Keep the key in a safe place.



We recommend using high-capacity rechargeable AA batteries. You will reduce the operating costs, extend the replacement intervals and save the environment by using them. The recommended minimal capacity is 2,500 mAh.

Switching off the station when it is idle e.g. overnight significantly extends the service life of batteries.

SAFETY INFORMATION

The purpose of this chapter is to provide basic information on occupation health and safety of all persons who come into contact with the H-Check disinfection station during its operation, maintenance or service.

GENERAL INFORMATION

The disinfection station is designed in accordance with international standards and regulations applicable to the manufacture of such equipment. The disinfection station operates with a safe voltage of 12 V. There is no risk of electric shock at this voltage.

The operator is primarily responsible for their personal safety during operation and maintenance of the disinfection station. The manufacturer of the disinfection station is not liable for personal injury or damage to the disinfection station and environmental damage caused by the fact that the station is not used and operated in accordance with the instruction manual and applicable safety regulations.

REQUIREMENTS FOR OPERATOR AND PERSONNEL OF STATION

STATION OPERATOR HAS TO:

- Clearly define the competencies of employees and the scope of responsibilities in operating the station.
- Provide training to station personnel and give them clear instructions on safe work procedures, a possible danger of injury and equipment installed for the safety of the personnel.
- Ensure that all those who come into contact with the disinfection station at work can thoroughly familiarize themselves with the contents of the instruction manual of the disinfection station and disinfection liquid.

STATION PERSONNEL HAS TO:

- Be fully informed about the contents of this instruction manual and have to follow them.
- Ensure that containers cannot be in contact or handled by an unauthorized person.

RESIDUAL RISKS

Disinfection stations are designed so that when **used correctly under a perfect technical condition they do not endanger** operating personnel and the environment. However, during the maintenance and adjustment there can arise situations that are a source of danger to workers if they are not aware of them and if they do not follow safety instructions stated in this manual. These hazards are so-called **residual risks** – they are risks that remain even after all preventive and protective measures have been considered and implemented.

Residual risks arise during the installation, transport and maintenance of the station. Therefore every person who comes into contact with the station at work has to know these risks and has to follow all recommendations to minimize them.

MECHANICAL HAZARDS

▲ RISK:

- **There is a risk of compression or bumping during lifting and handling the disinfection station.**

- **There is a danger of compression or hitting during tilting and falling of the station due to insufficient stability.**

WHERE IT POSES A THREAT:

The area around and below the disinfection station.

WHEN IT CAN HAPPEN:

When transporting the station to a storage or installation location and/or lifting during handling.

PROTECTION:

The station may only be handled during the transport by an authorized worker who is familiar with the safe use of the handling equipment (a hand pallet truck) and is familiar with the weight of the station.

▲ RISK:

- **There is a risk of injury from hitting or coming into contact with a sharp edge or a protruding square part of the station when moving around the station. Personnel injury with the rear cover of the station open during cleaning, maintenance and/or repairs of the station.**

WHERE IT POSES A THREAT:

External and internal parts of the disinfection station.

WHEN IT CAN HAPPEN:

During cleaning, maintenance and repairs. Although the external parts of the station are covered with rounded edges and no sharp or protruding parts due to inattention there might take place injuries of body parts.

PROTECTION:

You have to pay close attention to each step you take in such situations. Always use personal protective equipment such as gloves or goggles and sturdy shoes during cleaning, maintenance and repairs.

THERMAL HAZARDS

▲ RISK:

- **There is a danger of burns during a station fire as a result of the insertion of a lit cigarette and the like or intentionally igniting the contents of the station.**

WHERE IT POSES A THREAT:

The area around and below the disinfection station.

WHEN IT CAN HAPPEN:

At any time during the operation of the station. Triggering by an external influence.

PROTECTION:

In case of a major fire, do not attempt to extinguish it yourself but call a professional fire brigade. In case of possible fire extinguishing, always use suitable protective equipment.

▲ RISK:

- **There is a danger of injury or death if a charge placed in the disinfection station explodes.**

WHERE IT POSES A THREAT:

The area around the station.

WHEN IT CAN HAPPEN:

At any time during the operation of the station. The station is not designed with regards to the explosion of the charge and it is not suitable for places with a risk of placing the charge in the terrorist station.

PROTECTION:

There is no reliable protection against a terrorist attack made by placing an explosive into a disinfection station. Therefore at least carefully select the location for placing the station.

DANGER OF MATERIAL AND SUBSTANCES

▲ RISK:

- **There is a danger to health due to contact with a disinfection liquid thrown away with waste and/or with parts of the station contaminated by waste with possible presence of bacteria or viruses. Contact with corroded parts of the station.**

WHERE IT POSES A THREAT:

The disinfection station area especially the area for hand disinfection.

WHEN IT CAN HAPPEN:

At any time during the operation of the station.

PROTECTION:

Always wear protective gloves when pouring the drip tray with excess disinfectant, cleaning the drip tray, cleaning parts of the station and performing maintenance and service.

ERGONOMIC HAZARDS

▲ RISK:

- **Discomfort, fatigue and strain when operating the station – the access to the opening for battery replacement, a disinfectant liquid as well as cleaning, maintenance and repairs of the station.**

WHERE IT POSES A THREAT:

The working area of the station personnel.

WHEN IT CAN HAPPEN:

At any time during the operation of the disinfection station. The station is ergonomically designed so that all activities associated with its operation and maintenance are not inconvenient and physically demanding for servicing personnel. However, prolonged maintenance or service may cause inconvenience to workers.

PROTECTION:

During prolonged maintenance or service of the station requiring to keep the body in an uncomfortable position take suitably long work breaks.

▲ RISK:

- **Injuries, misconduct or discomfort due to insufficient lighting of the disinfection station.**

WHERE IT POSES A THREAT:

The area inside the station.

WHEN IT CAN HAPPEN:

At any time during the operation of the station when the lighting conditions are not suitable for trouble-free work.

PROTECTION:

In case of poor lighting conditions, we recommend to bring an external light source to operate and maintain the station.

IMPROPER USE AND PROHIBITED ACTIVITIES

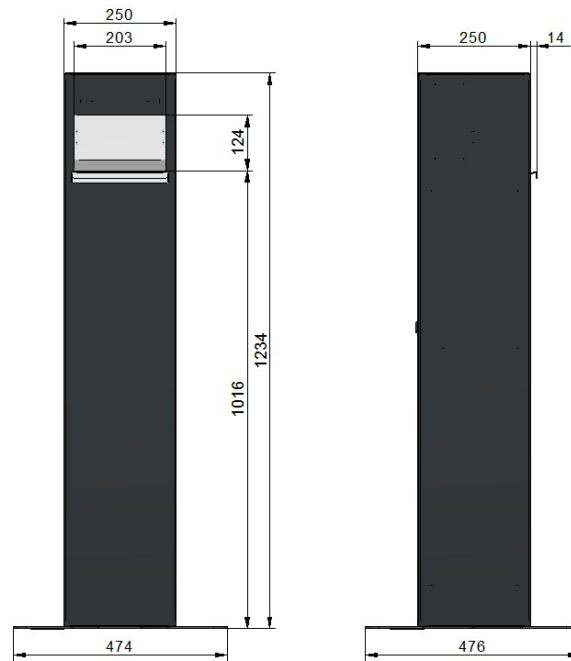
The manufacturer of the disinfection station cannot be expected to take into account all possible incorrect uses of such equipment. However, some types of misuse, whether intentional or unintentional, are foreseeable on the basis of past experience with the use of the same type of equipment or similar equipment, accident investigations and knowledge of human behaviour.

- Never allow disinfection stations to be operated or maintained or serviced by persons who are not competent to operate or maintain and service this type of equipment.
- The disinfection station and its parts may only be operated in a technically good condition. All detected faults and damage must be reported immediately to the relevant service department and eliminated as soon as possible.
- Do not use the disinfection station if there is a fault detected in it!
- Do not continue to use the station until the fault is not eliminated!
- Do not work with the station under the influence of drugs, alcohol or other drugs!
- All covers and other protective elements of the station must always be in place. The personnel must never remove any mechanical or electrical components.
- Do not change or modify any parts of the station without the consent of the manufacturer. Unauthorized changes may result in hazardous conditions of work safety.

TECHNICAL SPECIFICATION

Column Dimensions	Width: 250 mm, depth: 250 mm, height 1234 mm (height including the platform)
Platform Dimensions	Width: 474 mm, depth: 476 mm, height 4 mm
Weight	34 kg without a disinfectant liquid
Dispense Opening for Disinfection	203 mm x 124 mm at the height of 1016 mm, contactless.
Material of Casing and Platform.	Steel DC01
Surface of Casing and Platform.	RAL 9005 powder coating, matting, smooth. The colour design and graphic sticker may differ from the standard, depending on the customer's order.
Material of Dispensing Opening	Powder painted – DC01
Operating voltage	10 - 12 V
Power Supply	power adapter 230V / 12V, 2.5A, terminal 5.5x2.1mm
Alternative Power	8 AA alkaline batteries or AA large capacity rechargeable batteries. The

	recommended minimal capacity is 2,500 mAh or the power adapter
Operating temperature	+10 °C up +40°C
Minimum Dispensing Batch	2.5 ml



i If you do not find certain information – that is important to you – contact the supplier.

H-CHECK DISINFECTION STATION MAIN DIMENSIONS

SPARE PARTS AND POSSIBLE DEFECTS

SPARE PARTS

If you need to replace any part or unit of the station, contact HESTEGO a.s. that will ensure the delivery and assembly of the required component. Use the contact listed in Chapter **ABOUT INSTRUCTION MANUAL > Manufacturer's Contact**.

POSSIBLE DEFECTS AND THEIR ELIMINATION

Defect	Probable Cause	Elimination
The disinfection station does not dispense a disinfectant liquid even though the pump is running (a buzz is heard when the hands are inserted into the opening).	The working container with disinfection is empty.	Replenish disinfectant liquid.
	The liquid suction hose is not inserted in the working container with disinfection.	Insert the hose into the working container with disinfection so that its end is immersed in the disinfection solution.
	The first filling of the system did not take place or the system was not de-aerated.	Press the batch quantity regulator (Fig. F, Note 12) and hold until disinfectant liquid is pumped into the system. As soon as the liquid starts flow out in the disinfection opening, release the button.
	Mechanical damage to the hose; the hose fell out inside the control unit.	Call for service.
The disinfection station does not dispense a disinfectant liquid even though the pump is not running (the buzz is not heard when the hands are inserted into the opening).	The main switch is turned off.	Turn on the main switch (Fig. F, Note 13) and perform the steps according to Chapter <i>INSTALLATION AND PUTTING INTO OPERATION > Putting into Operation.</i>
	The batteries are not connected.	Connect the batteries using a connector and perform the steps according to Chapter <i>INSTALLATION AND PUTTING INTO OPERATION > Putting into Operation.</i>
	The batteries are weak or discharged.	Replace the batteries according to Chapter <i>MAINTENANCE AND OPERATION > Battery Replacement.</i>
	The batteries are not inserted correctly in the battery holder.	Check the correct polarity of the batteries in the battery holder.
The disinfection station dispenses a small or a large amount of disinfection liquid.	The liquid quantity was not calibrated correctly or the type of disinfectant liquid was changed.	Perform an adjustment according to Chapter <i>INSTALLATION AND PUTTING INTO OPERATION > Change of Dispensed Disinfectant Liquid Amount.</i>
	The clogged up dispensing hose.	Check for clogged areas of disinfectant liquid or wipe the end of the hose with a damp cloth. Wear eye protection.
	The batteries are weak or discharge.	Replace the batteries according to Chapter <i>MAINTENANCE AND OPERATION > Battery Replacement.</i>
	Mechanical damage to the hose, the hose fell out inside the control unit.	Call for service.
Another defect.	Not found	Prepare the disinfection station documents and the defect description and call for service.

DISASSEMBLY, STORAGE AND DISPOSAL

DISASSEMBLY

If it is necessary to dismantle the disinfection station for storage or transport and a subsequent installation elsewhere proceed as follows:

- Unlock and open the rear door.
- Remove the containers with disinfectant liquid.
- By pressing the batch quantity regulator button (Fig. F, Note 12) drain the system. Keep the regulator compressed until a disinfectant liquid flows out of the hand opening.
- Turn the main switch to the "0" position (Fig. F, Note 13).
- Remove the battery holder from the shelf at the top part and disconnect it by the battery using the connector - grasp the connector between your thumb and forefinger and pull them from each other. Keep the battery holder outside the station.
- Slide out and empty the drip tray.
 - Remove the platform in the reverse procedure according to Chapter **INSTALLATION AND PUTTING INTO OPERATION > Assembly of Platform and Anti-Slip Mats.**

STORAGE

- Store the station according to the instructions in Chapter **DELIVERY AND UNPACKING > Storage before Unpacking.**

DISPOSAL AND ELIMINATION



Before disposing of the H-Check disinfection station and its parts, make them unusable. Even old products contain raw materials that can be reused. Dispose of these items at a scrapyards. If you are disposing of the station including AA batteries or AA high-capacity rechargeable batteries, disconnect them, remove them from the battery holder and return them to a designated collection point.

When disposing of the station and batteries, it is necessary to observe the relevant waste disposal regulations. It is better to dispose of the components in a specialized place so that recyclable materials can be reused. Dispose of unusable parts of the station in a controlled landfill.

The product complies with NV No. 117/2016 of 30 June 2016 on the assessment of the conformity of products with regard to electromagnetic compatibility when placed on the market and Directive 2014/30 / EU of the European Parliament and of the Council of 26 February 2014 on the harmonization of the laws of the Member States relating to electromagnetic compatibility.